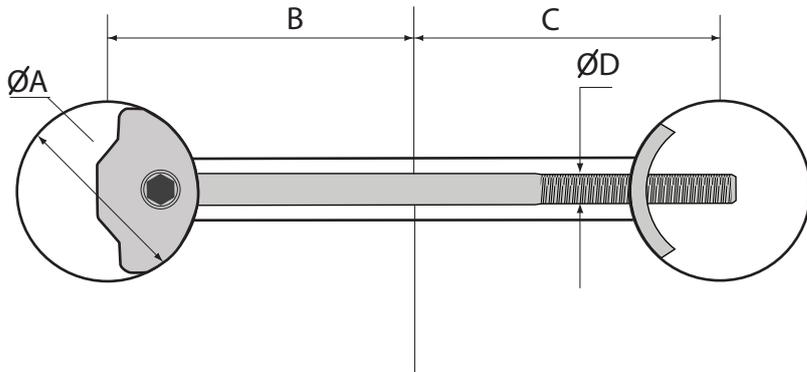
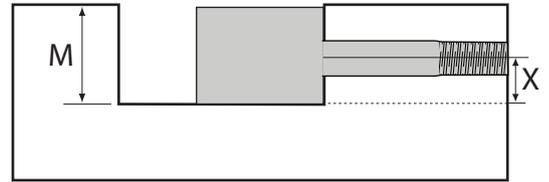


## SPECIFICATION



### SHAFT CENTRE CALCULATION



M= Minimum Bore Depth 20mm (51/64 inches)  
 X = Shaft Centre 10mm (25/64 inches)

## Measurements

	Millimetres	Inches
A	35	$1\frac{3}{8}$
B	74 - 87	$2\frac{29}{32} - 3\frac{27}{64}$
C	74 - 87	$2\frac{29}{32} - 3\frac{27}{64}$
D	6	$\frac{15}{64}$



5mm hex bit