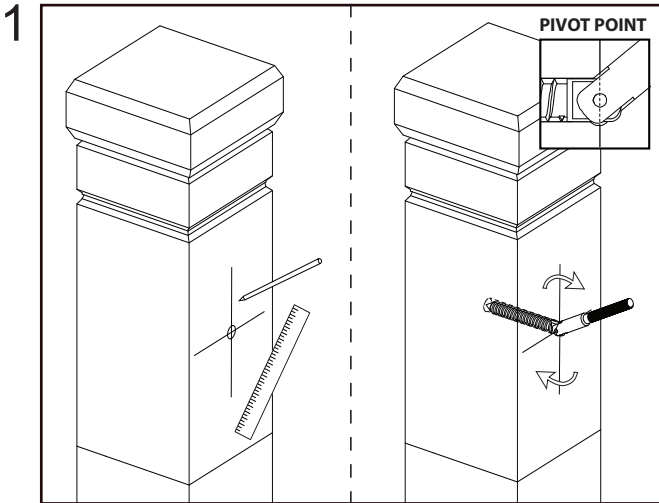
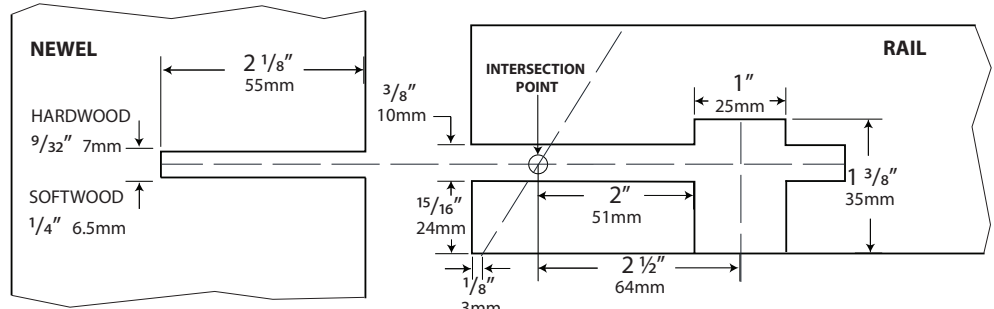
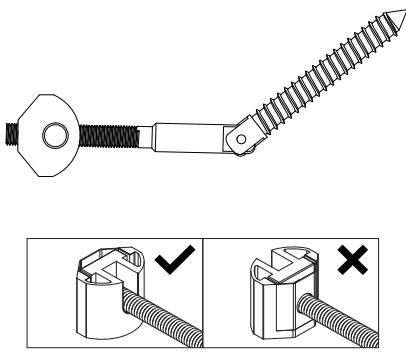
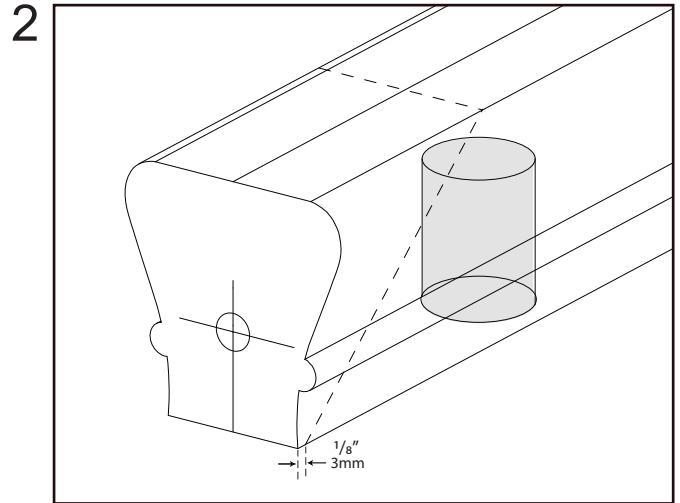


INSTALLATION INSTRUCTIONS

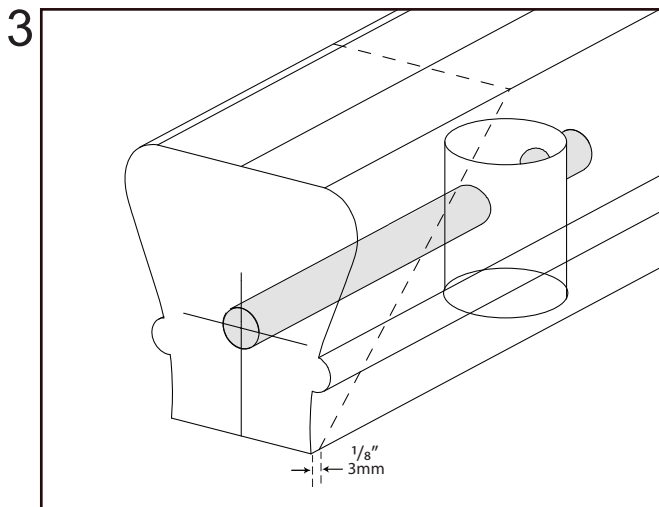
Zipbolt Angled Railbolt - 11.550



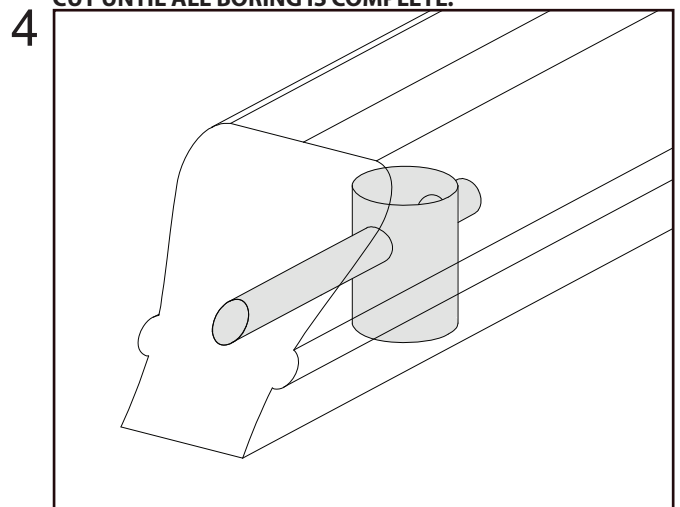
1 Mark the newel and drill hole. Wind screw end until reaching pivot point using wax as a lubricant.



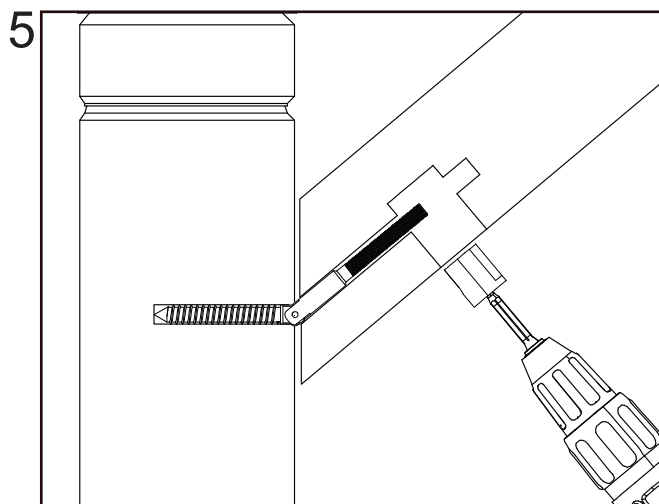
2 Mark the angle on the rail $\frac{1}{8}$ " (3mm) from the end. Refer to top diagram for intersection point. **DO NOT CUT UNTIL ALL BORING IS COMPLETE.**



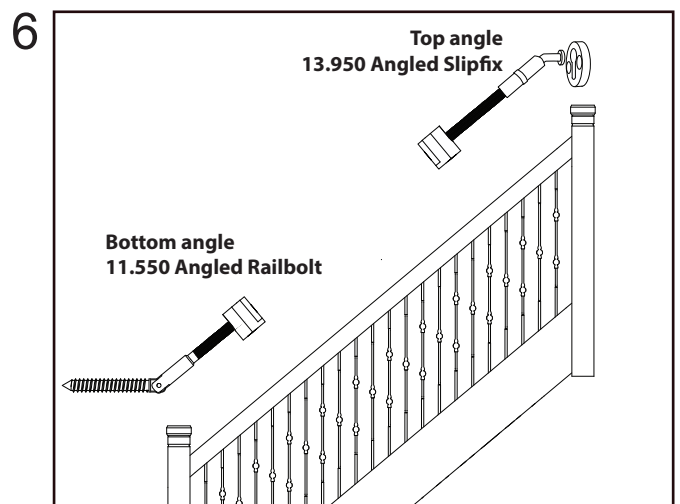
3 Mark and bore $\frac{3}{8}$ " (10mm) hole $\frac{15}{16}$ " (24mm) to centre. **DO NOT CUT UNTIL ALL BORING IS COMPLETE.**



4 Proceed to cut the angle, the $\frac{3}{8}$ " (10mm) hole can now be deepened.



5 Insert gear housing and tighten, use low torque setting on drill. Plug hole and sand.



6 Job complete.