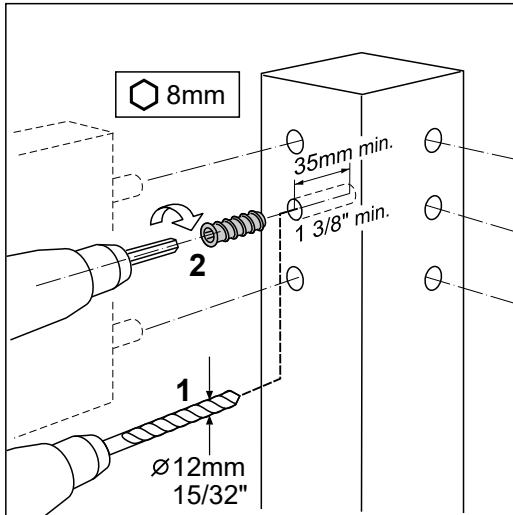


INSTALLATION INSTRUCTIONS

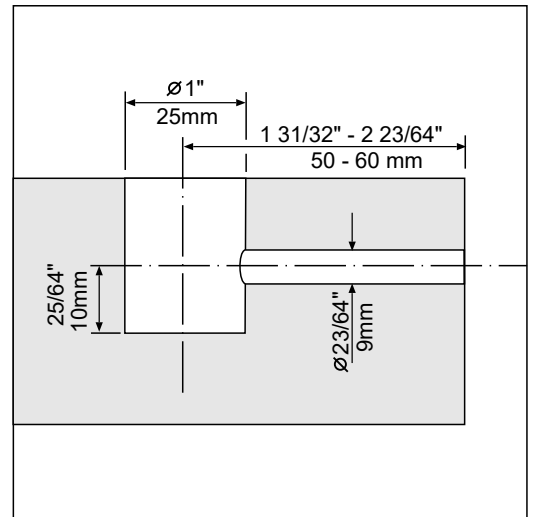
13.500 - ST MAXI (8mm x 90 mm)

1



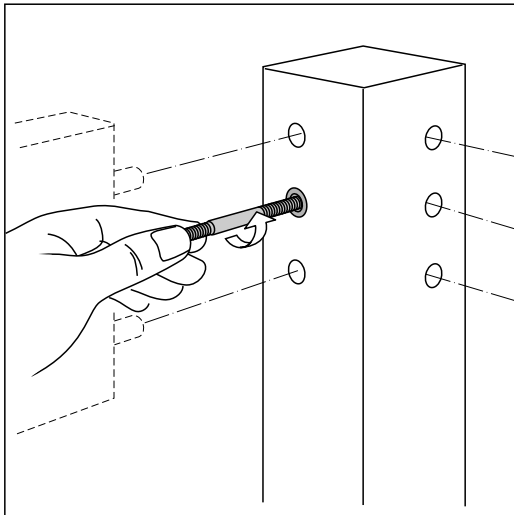
After marking the centre hole for the insert screw, bore a 12mm - 15/32" perpendicular hole - for hardwoods the hole can be larger and wax is recommended. Use an 8mm hex bit or Allen key to drive in the insert.

2



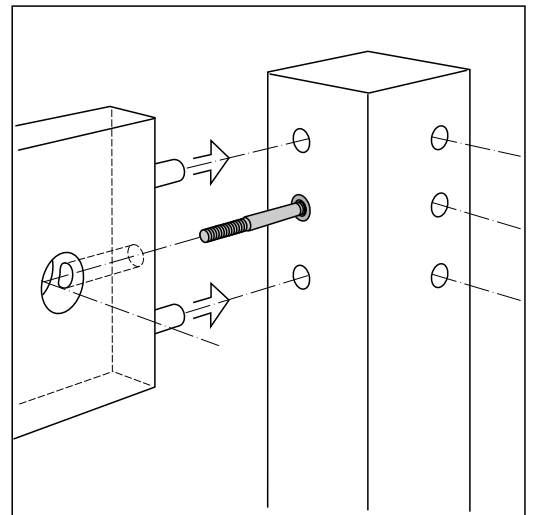
Bore the railing according to recommended diameters and distances, depending on the rail thickness the connectors can be set deeper into the material.

3



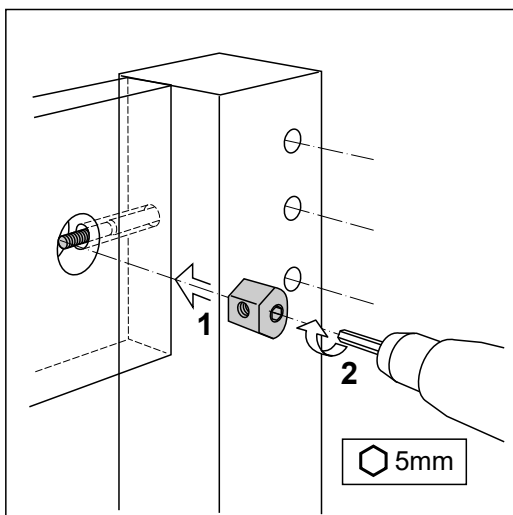
Install the screw shaft into the insert screw counter clockwise.

4



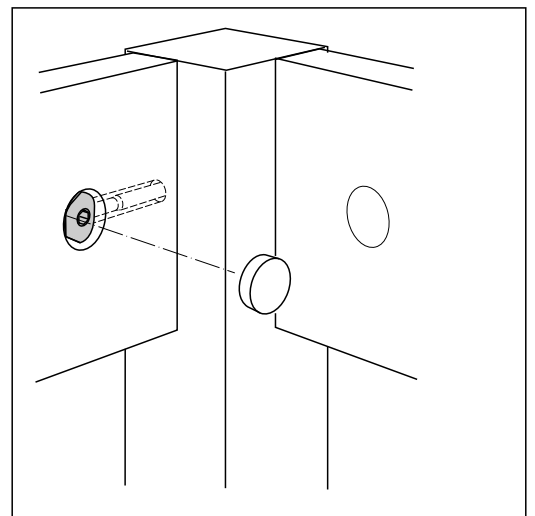
Push the joint together.

5



Place the gear housing onto the screw shaft thread, tighten with a 5mm hex bit in a power drill or with a hand driver.

6



Once completed the 25mm/1" hole can be plugged / this is optional.