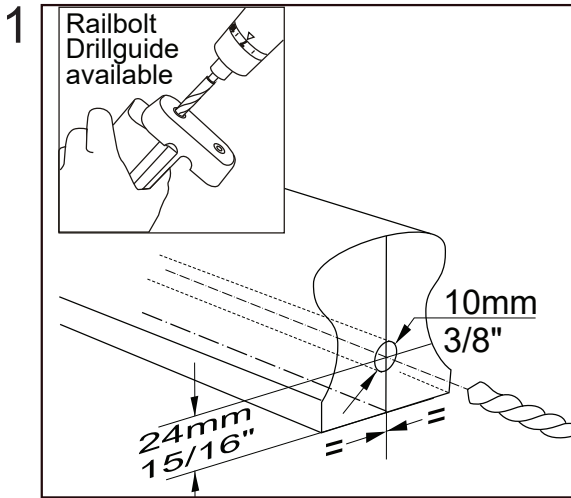
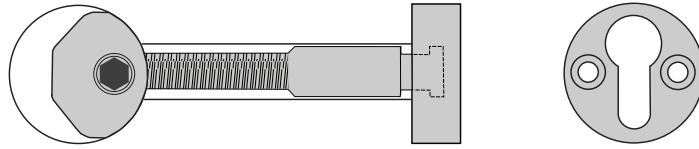
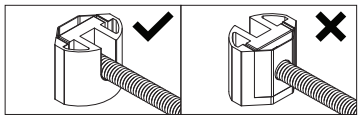


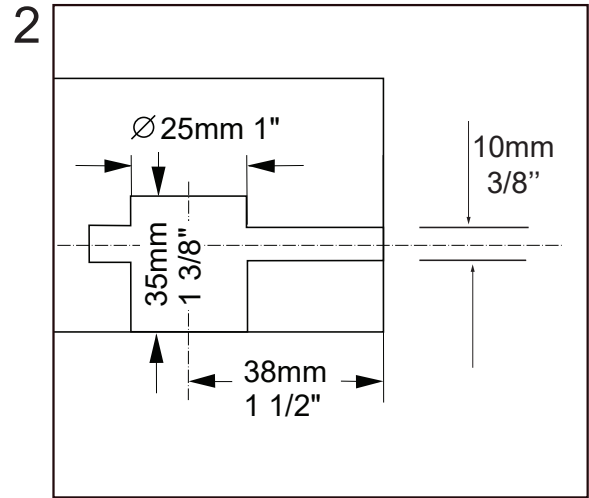
INSTALLATION INSTRUCTIONS

13.801 - Slipfix Railbolt

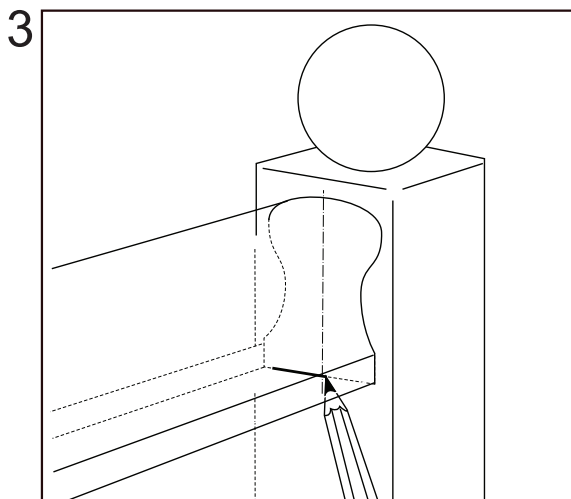
KNAPP[®]
connectors.com



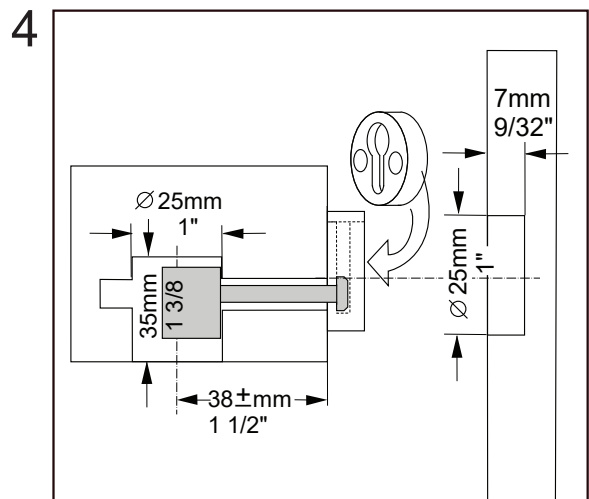
Mark the $\frac{3}{8}$ " (10mm) hole, (Railbolt Drill guide is available and will make it easier).



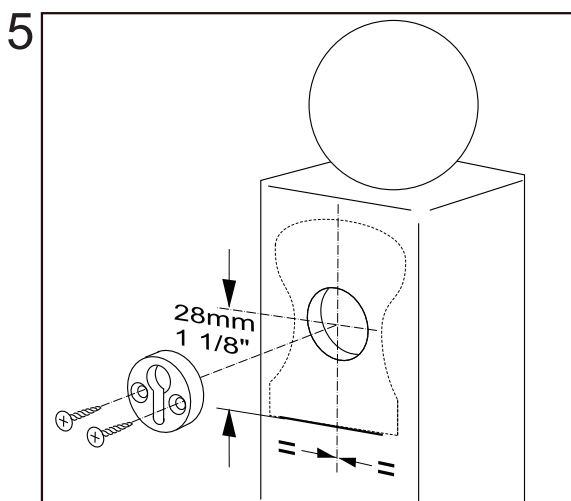
Mark and bore 1" (25mm) hole first then bore $\frac{3}{8}$ " (10mm) hole.



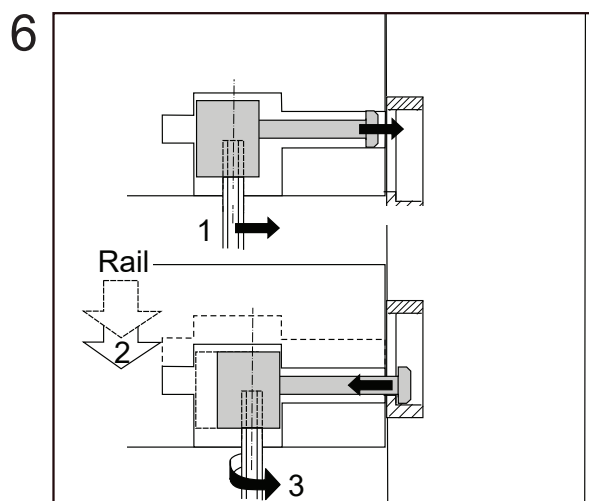
Mark fully final position of the handrail onto post observing the centre line.



Insert connector into rail, check travel left to right.



To mark the centre of the keyhole disc measure 1 $\frac{1}{8}$ " (28mm) upwards from the bottom of the rail position. Using a 1" (25mm) bit bore hole into post $\frac{3}{2}$ " (7mm) deep so the keyhole disc is flush or slightly under. Secure disc with screws, bore pilot holes first.



The shaft should be flush or under the surface of the end rail. Using a 5mm hex bit in a hand tool insert into gear housing, now it is possible to move the shaft to engage the disc keyhole. Then simply push rail downwards and tighten. Plug hole and sand.