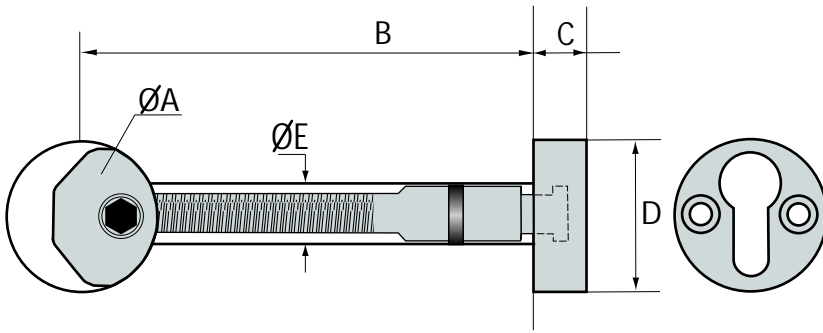
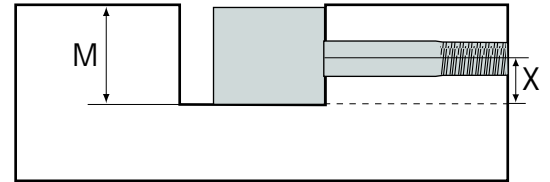


SPECIFICATION



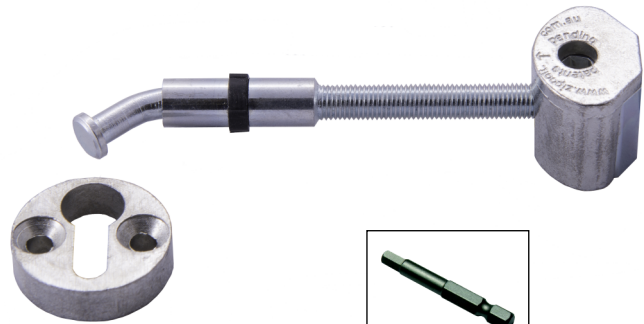
SHAFT CENTRE CALCULATION



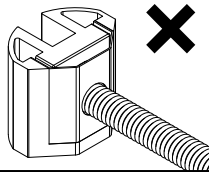
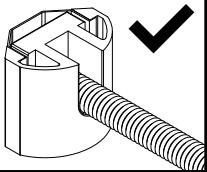
M = Minimum Bore Depth 20mm (51/64 inches)
X = Shaft Centre 10mm (25/64 inches)

Measurements

	Millimetres	Inches
A	25	1
B	89	3 1/2
C	7	9/32
D	25	1
E	9.5-10	3/8



5mm hex bit



BEST ✓

TO TIGHTEN GEAR BY HAND
OR WITH A DRILL ON LOW
TORQUE SETTING



NEVER ✗

USE IMPACT DRIVER TO
TIGHTEN GEAR