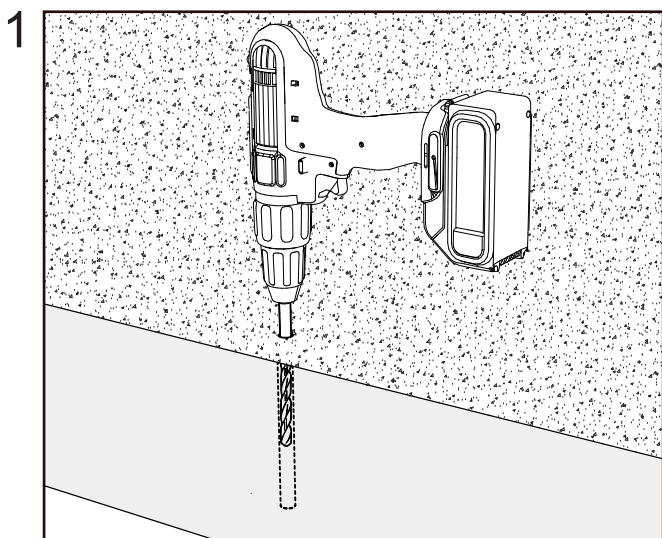
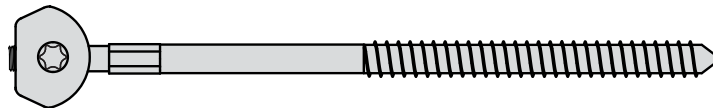
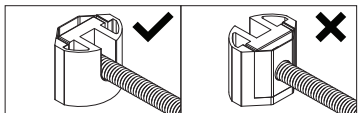


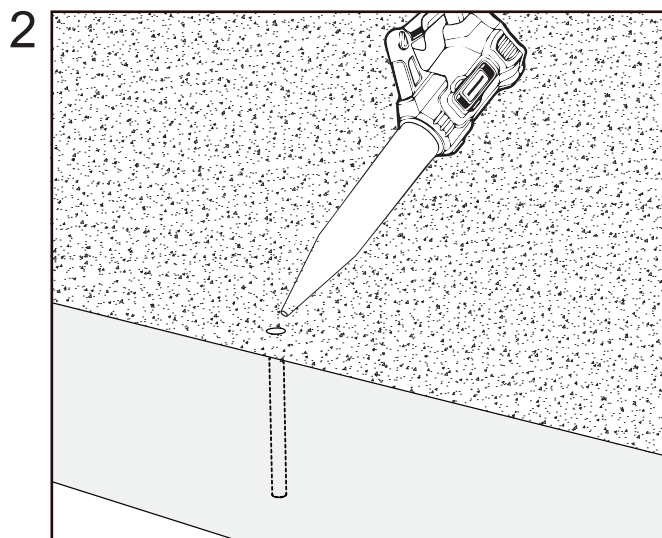
INSTALLATION INSTRUCTIONS

Zipbolt Super UT Post Fastener into CONCRETE

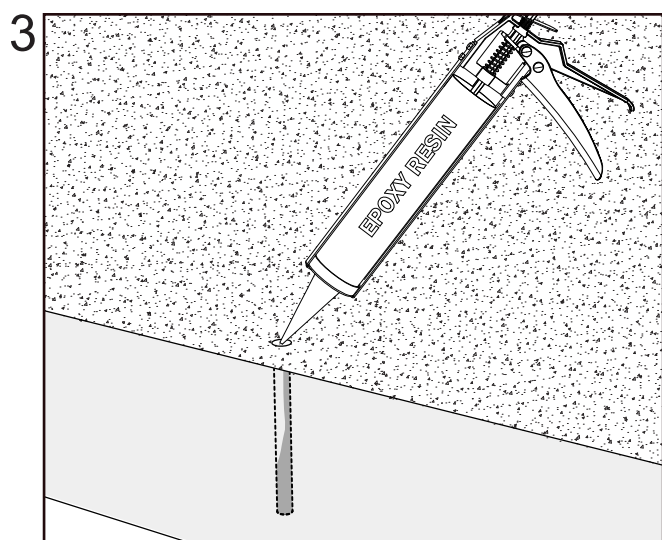
KNAPP[®]
connectors.com



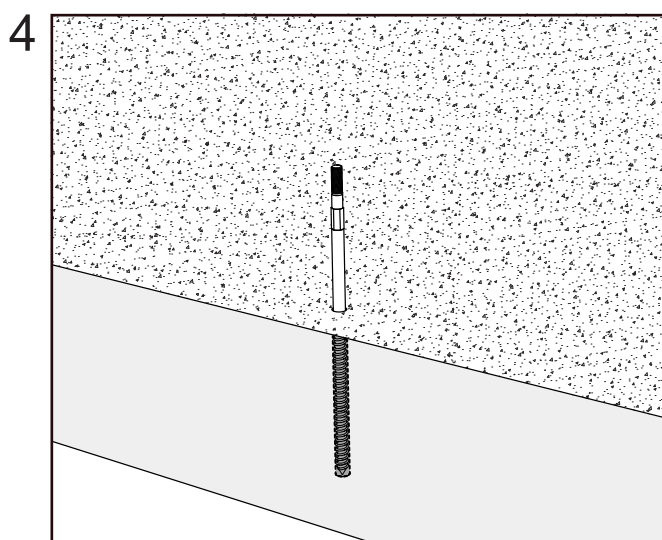
Bore the hole into the concrete slightly larger than the external steel thread, taking note of the depth required.



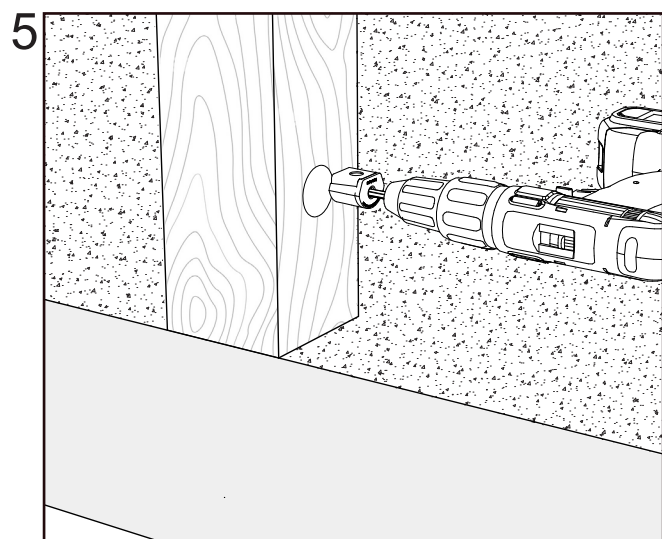
Blow or vacuum dust out of the hole.



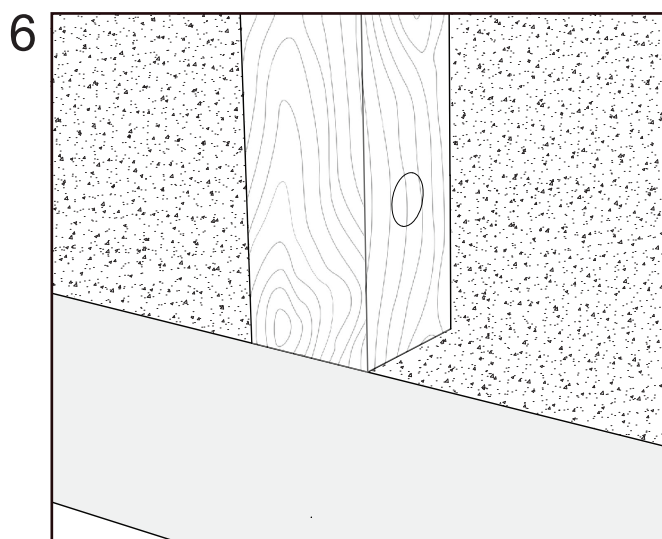
Fill hole $\frac{1}{3}$ to $\frac{1}{2}$ with epoxy resin.



Set shaft at correct height and wipe off excess epoxy. Allow to set.



Assemble post using Zipbolt gear housing.



Plug hole, job complete.