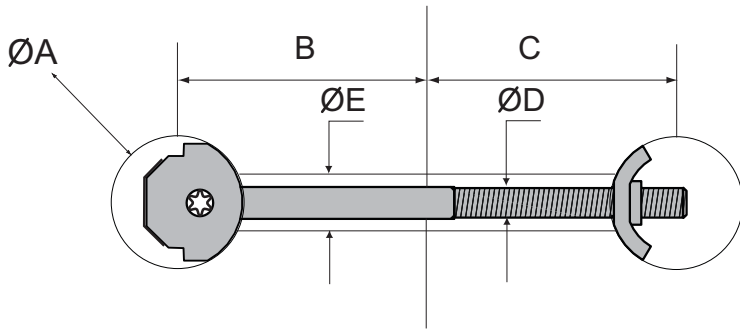
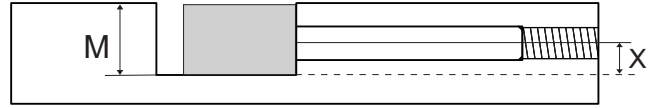


ZIPBOLT™ 18.100 Ultra Slim Connector 4x100mm

SPECIFICATION



SHAFT CENTRE CALCULATION



M= Minimum Bore Depth 10mm (25/64 inches)
 X = Shaft Centre 4mm (5/32 inches)

Measurements

	Millimetres	Inches
A	20	63/64
B	43-50	1 ¹¹ / ₁₆ - 1 ³¹ / ₃₂
C	43-50	1 ¹¹ / ₁₆ - 1 ³¹ / ₃₂
D	4	5/32
E	5	13/64



max. 10Nm



T25 Torx