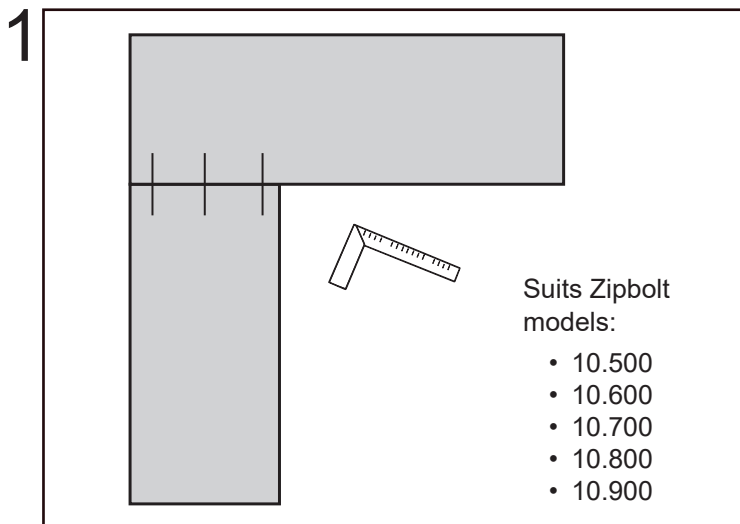
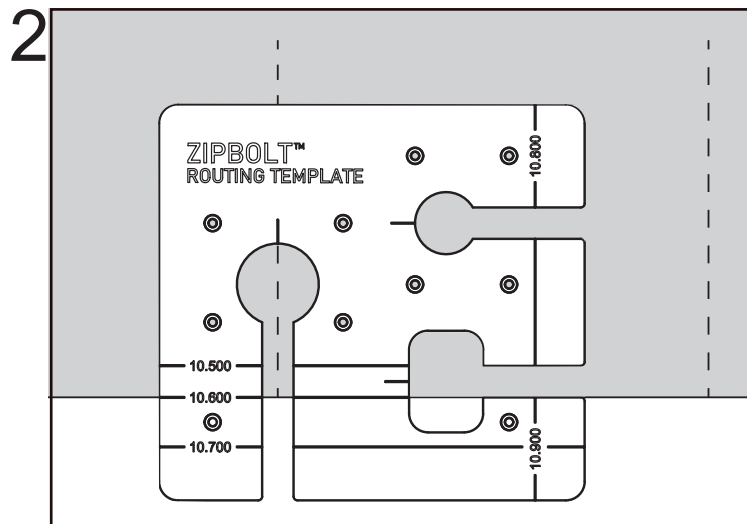


# INSTRUCTIONS - HOW TO USE

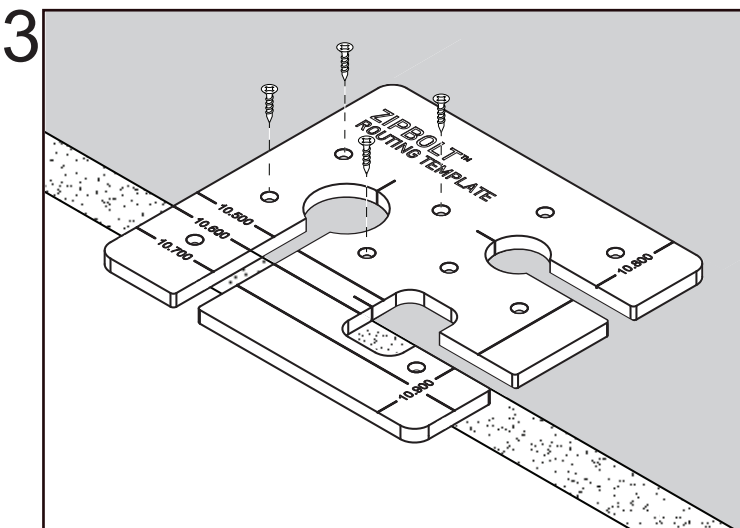
## Zipbolt Routing Template - 40.200



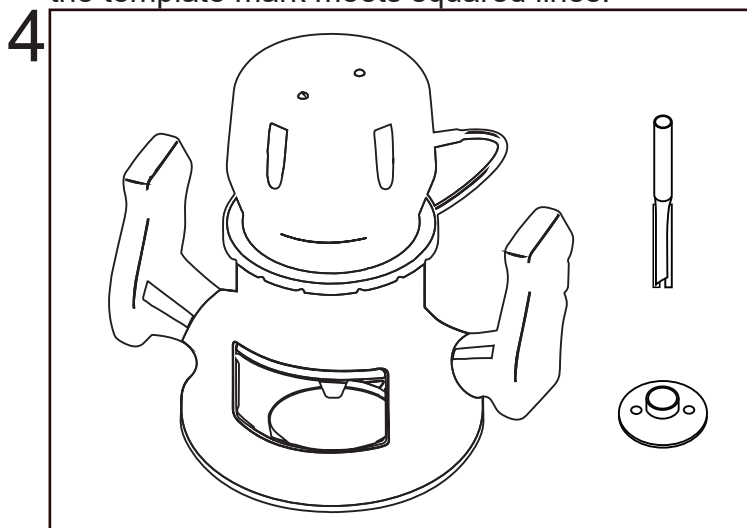
Use a square to mark centre lines across both tops/panels.



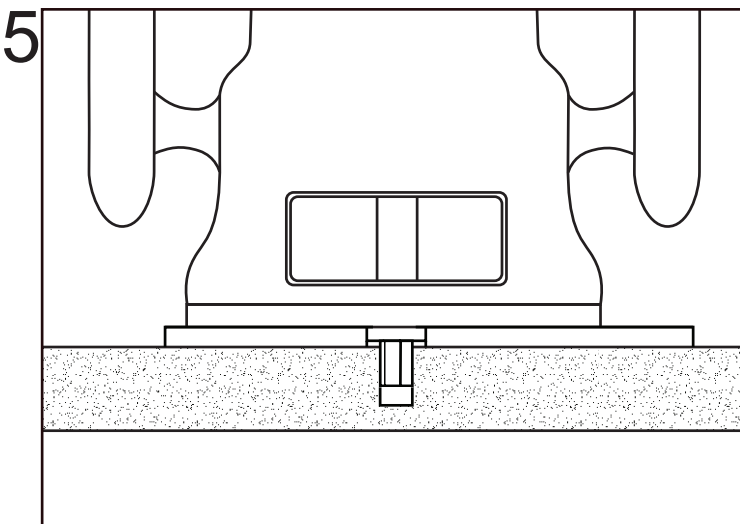
Once the Zipbolt model is chosen, select the appropriate marked line on the template and place over the edge of the top/panel. Make sure the template mark meets squared lines.



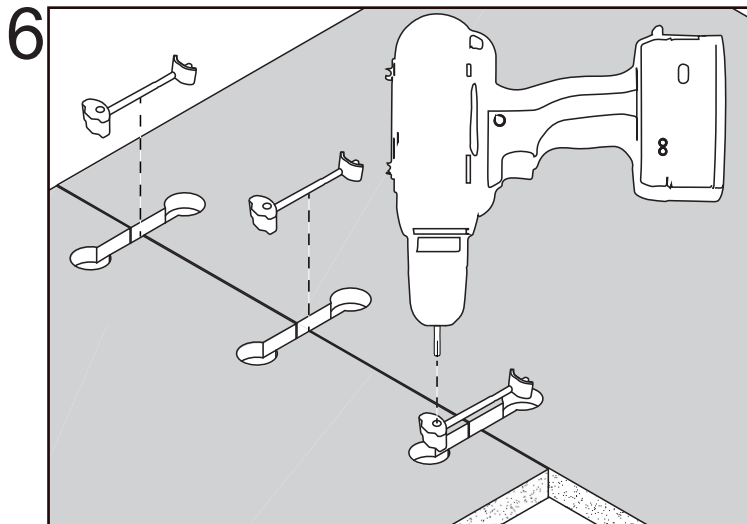
Secure template using 4 or 5 screws.



Tools needed: Router, 5/8 diameter short nose bushing and 3/8 diameter, long shank router cutter.



Set finished depth on router plunge, however, routing in two steps is recommended.



Proceed to tighten the Zipbolts.