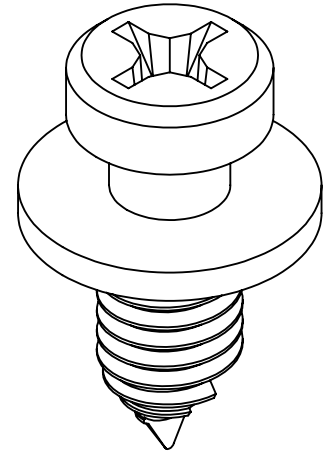
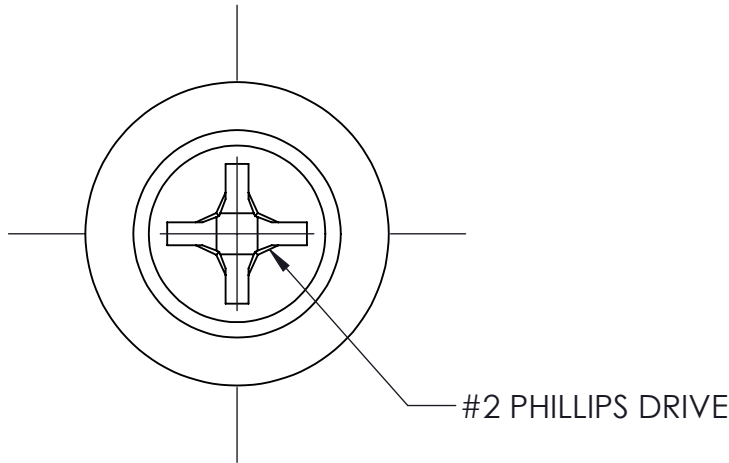
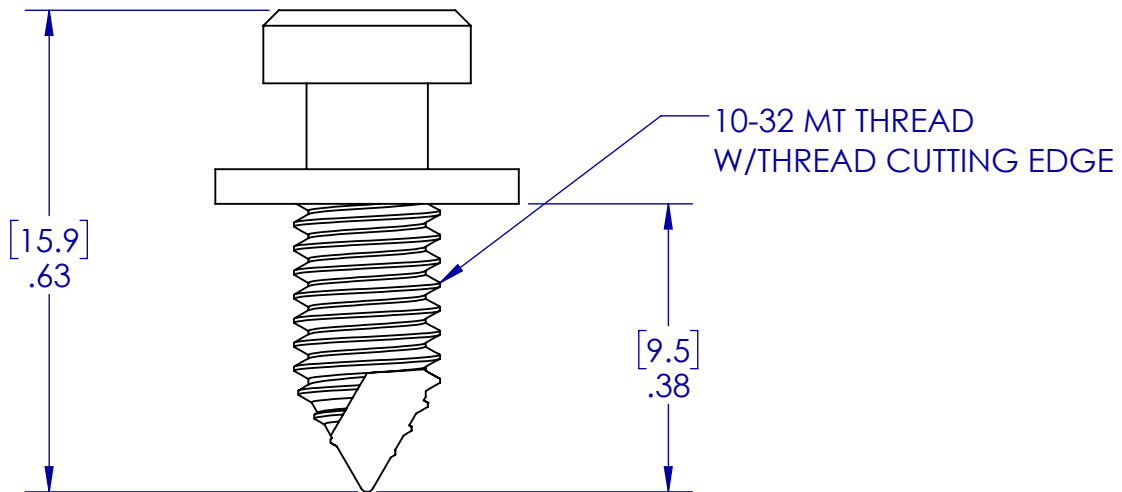


NOTE:  
DIMENSIONS SHOWN IN [ ] ARE IN MM



SCALE 4:1



FOR REFERENCE ONLY

**KNAPP**<sup>®</sup>  
connectors.com

THIS DRAWING IS PROPERTY OF:  
KNAPP US  
12245 NATIONS FORD RD STE 403  
PINEVILLE, NC 28134  
WWW.KNAPPCONNECTORS.COM

MATERIAL		STEEL	
PART NO.	5043	PART NAME	SHOULDER SCREW #10-32 MT X 3/8" THREAD CUT
DRAWN BY	JAB	ISO NO.	SCALE 4:1 REVISION V01